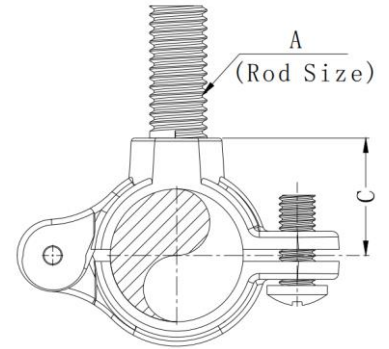


FEATURES

- **Size Range:** 1/2" through 4"
- **Material:** Malleable Iron
- **Finish:** Plain or Electroplated Galvanized
- **Function:** Designed for suspending non-insulated pipe.
- **Temperature:** Maximum temperature Plain 650°F, Galvanized 450°F.
- **Standard:** Complies with Federal Specification WW-H-171E Type 25
Manufactures Standardization Society MSS SP-69 & SP-58 Type 12



SIZE

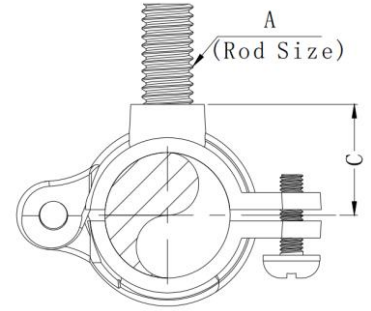
Material: Malleable Iron

Unit: Inch

FirmFX #	SIZE	A	C	Static load (lbs)	Certifications
FX60PI0050	1/2"	3/8"-16	0.774"	180	/
FX60EG0050	1/2"	3/8"-16	0.774"	180	/
FX60PI0075	3/4"	3/8"-16	0.880"	180	/
FX60EG0075	3/4"	3/8"-16	0.880"	180	/
FX60PI0100	1"	3/8"-16	1.012"	180	/
FX60EG0100	1"	3/8"-16	1.012"	180	/
FX60PI0125	1-1/4"	3/8"-16	1.222"	180	/
FX60EG0125	1-1/4"	3/8"-16	1.222"	180	/
FX60PI0150	1-1/2"	3/8"-16	1.343"	180	/
FX60EG0150	1-1/2"	3/8"-16	1.343"	180	/
FX60PI0200	2"	3/8"-16	1.620"	180	/
FX60EG0200	2"	3/8"-16	1.620"	180	/
FX60PI0250	2-1/2"	1/2"-13	1.929"	300	/
FX60EG0250	2-1/2"	1/2"-13	1.929"	300	/
FX60PI0300	3"	1/2"-13	2.360"	300	/
FX60EG0300	3"	1/2"-13	2.360"	300	/
FX60PI0400	4"	1/2"-13	2.860"	300	/
FX60EG0400	4"	1/2"-13	2.860"	300	/

FEATURES

- **Size Range:** 1/2" through 4"
- **Material:** Malleable Iron
- **Finish:** Copper Colored Epoxy
- **Function:** Designed for suspending copper tubing horizontally or vertically.
- **Temperature:** Maximum temperature 210°F.
- **Standard:** Complies with Federal Specification WW-H-171E Type 25
Manufactures Standardization Society MSS SP-69&SP-58 Type 12



SIZE

Material: Malleable Iron

Unit: Inch

FirmFX #	SIZE	A	C	Static load (lbs)	Certifications
FX60CE0050	1/2"	3/8"-16	0.667	180	/
FX60CE0075	3/4"	3/8"-16	0.791	180	/
FX60CE0100	1"	3/8"-16	0.917	180	/
FX60CE0125	1-1/4"	3/8"-16	1.081	180	/
FX60CE0150	1-1/2"	3/8"-16	1.207	180	/
FX60CE0200	2"	3/8"-16	1.496	180	/
FX60CE0250	2-1/2"	1/2"-13	1.805	300	/
FX60CE0300	3"	1/2"-13	2.173	300	/
FX60CE0400	4"	1/2"-13	2.673	300	/