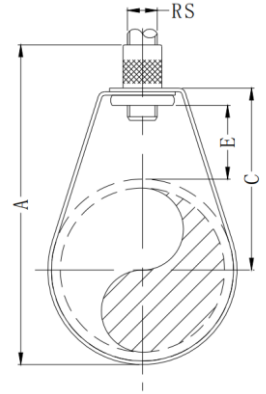


FEATURES

- **Size Range:** 1/2" through 8"
- **Material:** Carbon steel
- **Finish:** Plain, Electroplated Galvanized.
- **Function:**
 - Recommended for the suspension of stationary non-insulated pipe lines.
 - A keyed insert nut to ensure that the loop hanger and insert nut stay together.
 - Insert nut can be removed if required.
- **Standard:** Complied with Federal Specification A-A-1192A (Type10) and MSS SP -36(Type 10).
- **Approval:** UL listed 1/2" through 8"
FM approved 3/4" through 8"



SIZE

Material: Carbon Steel

Unit: Inch

| FirmFX # | PIPE SIZE | A | B | C | E | RS | Static load (lbs) | Certifications |
|------------|-----------|--------|--------|--------|--------|------|-------------------|----------------|
| FX80PS0050 | 1/2" | 2.756" | 0.984" | 1.732" | 1.063" | 3/8" | 400 | / |
| FX80EG0050 | 1/2" | 2.756" | 0.984" | 1.732" | 1.063" | 3/8" | 400 | UL |
| FX80PS0075 | 3/4" | 3.031" | 0.984" | 1.85" | 1.063" | 3/8" | 400 | / |
| FX80EG0075 | 3/4" | 3.031" | 0.984" | 1.85" | 1.063" | 3/8" | 400 | UL/FM |
| FX80PS0100 | 1" | 3.307" | 0.984" | 2.008" | 1.102" | 3/8" | 400 | / |
| FX80EG0100 | 1" | 3.307" | 0.984" | 2.008" | 1.102" | 3/8" | 400 | UL/FM |
| FX80PS0125 | 1-1/4" | 3.465" | 0.984" | 2.008" | 0.945" | 3/8" | 400 | / |
| FX80EG0125 | 1-1/4" | 3.465" | 0.984" | 2.008" | 0.945" | 3/8" | 400 | UL/FM |
| FX80PS0150 | 1-1/2" | 3.74" | 0.984" | 2.165" | 0.984" | 3/8" | 400 | / |
| FX80EG0150 | 1-1/2" | 3.74" | 0.984" | 2.165" | 0.984" | 3/8" | 400 | UL/FM |
| FX80PS0200 | 2" | 4.213" | 0.984" | 2.402" | 0.984" | 3/8" | 400 | / |
| FX80EG0200 | 2" | 4.213" | 0.984" | 2.402" | 0.984" | 3/8" | 400 | UL/FM |



Loop Hanger

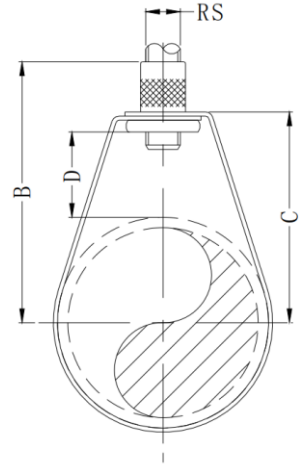
Material: Carbon Steel

Unit: Inch

| FirmFX # | PIPE SIZE | A | B | C | E | RS | Static load (lbs) | Certifications |
|------------|-----------|---------|--------|--------|--------|------|-------------------|----------------|
| FX80PS0250 | 2-1/2" | 5.472" | 1.26" | 3.386" | 1.575" | 3/8" | 600 | / |
| FX80EG0250 | 2-1/2" | 5.472" | 1.26" | 3.386" | 1.575" | 3/8" | 600 | UL/FM |
| FX80PS0300 | 3" | 6.417" | 1.26" | 4.055" | 2.008" | 3/8" | 600 | / |
| FX80EG0300 | 3" | 6.417" | 1.26" | 4.055" | 2.008" | 3/8" | 600 | UL/FM |
| FX80PS0350 | 3-1/2" | 6.929" | 1.338" | 4.331" | 2.047" | 3/8" | 600 | / |
| FX80EG0350 | 3-1/2" | 6.929" | 1.338" | 4.331" | 2.047" | 3/8" | 600 | UL/FM |
| FX80PS0400 | 4" | 7.480" | 1.338" | 4.606" | 2.047" | 3/8" | 1000 | / |
| FX80EG0400 | 4" | 7.480" | 1.338" | 4.606" | 2.047" | 3/8" | 1000 | UL/FM |
| FX80PS0500 | 5" | 9.173" | 1.338" | 5.512" | 2.323" | 1/2" | 1250 | / |
| FX80EG0500 | 5" | 9.173" | 1.338" | 5.512" | 2.323" | 1/2" | 1250 | UL/FM |
| FX80PS0600 | 6" | 11.260" | 1.338" | 7.087" | 3.346" | 1/2" | 1250 | / |
| FX80EG0600 | 6" | 11.260" | 1.338" | 7.087" | 3.346" | 1/2" | 1250 | UL/FM |
| FX80PS0800 | 8" | 12.874" | 1.338" | 7.717" | 2.992" | 1/2" | 1250 | / |
| FX80EG0800 | 8" | 12.874" | 1.338" | 7.717" | 2.992" | 1/2" | 1250 | UL/FM |

FEATURES

- **Size Range:** 1/2" through 6"
- **Material:** Carbon steel
- **Finish:** Copper Colored Epoxy
- **Function:**
 - Recommended for the suspension of stationary non-insulated pipe lines.
 - A keyed insert nut to ensure that the loop hanger and insert nut stay together.
 - Insert nut can be removed if required.
- **Standard:** Complied with Federal Specification WW-H-171(Type 10) and MSS SP -58 (Type 10).



SIZE

Material: Carbon Steel

Unit: Inch

| FirmFX # | PIPE SIZE | B | C | D | RS | Static load (lbs) | Certifications |
|------------|-----------|----------|----------|----------|------|-------------------|----------------|
| FX80CE0050 | 1/2" | 2-1/4" | 13/16" | 15/16" | 3/8" | 300 | / |
| FX80CE0075 | 3/4" | 2-1/4" | 13/16" | 15/16" | 3/8" | 300 | / |
| FX80CE0100 | 1" | 2-17/32" | 1-1/8" | 1-5/16" | 3/8" | 300 | / |
| FX80CE0125 | 1-1/4" | 2-1/2" | 1-3/32" | 31/32" | 3/8" | 300 | / |
| FX80CE0150 | 1-1/2" | 2-27/32" | 1-7/16" | 1-3/16" | 3/8" | 300 | / |
| FX80CE0200 | 2" | 2-27/32" | 1-13/32" | 29/32" | 3/8" | 300 | / |
| FX80CE0250 | 2-1/2" | 3" | 1-19/32" | 27/32" | 3/8" | 525 | / |
| FX80CE0300 | 3" | 3-15/16" | 2-13/32" | 1-13/32" | 3/8" | 525 | / |
| FX80CE0400 | 4" | 4-3/4" | 3-7/32" | 1-3/4" | 3/8" | 650 | / |
| FX80CE0600 | 5" | 5-25/32" | 4-3/16" | 2-1/4" | 1/2" | 1000 | / |
| FX80CE0800 | 6" | 6-3/16" | 4-5/8" | 2-5/32" | 1/2" | 1000 | / |