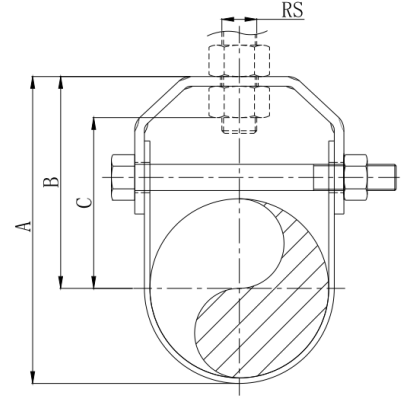




Light Duty Clevis Hanger For Copper Tube

FEATURES

- **Size Range:** 1/2" through 6"
- **Material:** Carbon steel
- **Finish:** Copper Colored Epoxy
- **Function:** Allows vertical adjustment of copper pipe after installation.
- **Temperature:** Maximum temperature Plain 650°F, Galvanized 450°F.
- **Standard:** Conforms with Federal Specification WW-H-171 (Type 1)
Manufacturers Standardization Society (MSS) SP-69(Type 1)



SIZE

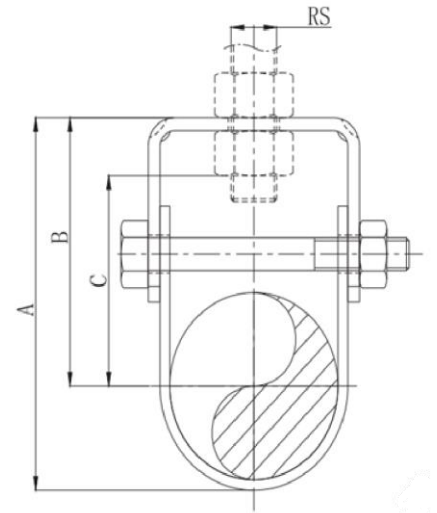
Material: Carbon Steel

Unit: Inch

FirmFX #	PIPE SIZE	A	B	C	RS	Static load (lbs)	Certification
FX18CE0050	1/2"	1-3/4"	1-7/16"	3/8"	3/8"	150	/
FX18CE0075	3/4"	2"	1-1/2"	1/2"	3/8"	250	/
FX18CE0100	1"	2-7/16"	1-7/8"	3/4"	3/8"	250	/
FX18CE0125	1-1/4"	2-3/4"	2-1/16"	1"	3/8"	250	/
FX18CE0150	1-1/2"	3-3/16"	2-3/8"	1-1/8"	3/8"	250	/
FX18CE0200	2"	4-1/16"	2-15/16"	1-5/8"	3/8"	250	/
FX18CE0250	2-1/2"	5-3/16"	3-7/8"	2-5/16"	1/2"	350	/
FX18CE0300	3"	5-5/8"	4"	2-7/16"	1/2"	350	/
FX18CE0400	4"	6-1/2"	4-7/16"	2-7/8"	1/2"	400	/
FX18CE0500	5"	9-1/8"	6-1/2"	4-1/2"	1/2"	550	/
FX18CE0600	6"	11-1/16"	7-15/16"	6"	5/8"	500	/

FEATURES

- **Size Range:** 1/2" through 4"
- **Material:** Carbon steel
- **Finish:** Plain, Electroplated Galvanized.
- **Function:**
 - Allows vertical adjustment of pipe after installation.
 - When using an oversize clevis, it is recommended to install a full width spacer on the cross bolt to prevent failure due to disfiguring the U-strap.
 - When using insulated pipe, order hanger sized to correspond to overall dimension. It is also recommended to use insulation shields.
- **Temperature:** Maximum temperature Plain 650°F, Galvanized 450°F.
- **Standard:** Conforms with Federal Specification WW-H-171 (Type 1)
Manufacturers Standardization Society (MSS) SP-69(Type 1)
- **Approval:** UL listed 1/2" through 4"



SIZE

Material: Carbon Steel

Unit: Inch

FirmFX #	PIPE SIZE	A	B	C	RS	Static load (lbs)	Certification
FX18PS0050	1/2"	2.165"	1.654"	1.267"	3/8"	150	/
FX18EG0050	1/2"	2.165"	1.654"	1.267"	3/8"	150	UL
FX18PS0075	3/4"	2.362"	1.732"	1.346"	3/8"	250	/
FX18EG0075	3/4"	2.362"	1.732"	1.346"	3/8"	250	UL
FX18PS0100	1"	2.717"	1.967"	1.581"	3/8"	250	/
FX18EG0100	1"	2.717"	1.967"	1.581"	3/8"	250	UL
FX18PS0125	1-1/4"	3.307"	2.402"	2.015"	3/8"	250	/
FX18EG0125	1-1/4"	3.307"	2.402"	2.015"	3/8"	250	UL
FX18PS0150	1-1/2"	3.900"	1.535"	2.408"	3/8"	250	/
FX18EG0150	1-1/2"	3.900"	1.535"	2.408"	3/8"	250	UL
FX18PS0200	2"	4.528"	1.654"	2.723"	3/8"	250	/
FX18EG0200	2"	4.528"	1.654"	2.723"	3/8"	250	UL
FX18PS0250	2-1/2"	5.157"	1.693"	3.0225"	1/2"	350	/
FX18EG0250	2-1/2"	5.157"	1.693"	3.0225"	1/2"	350	UL
FX18PS0300	3"	6.063"	1.929"	3.5345"	1/2"	350	/
FX18EG0300	3"	6.063"	1.929"	3.5345"	1/2"	350	UL
FX18PS0400	4"	7.795"	2.598"	4.4785"	5/8"	400	/
FX18EG0400	4"	7.795"	2.598"	4.4785"	5/8"	400	UL