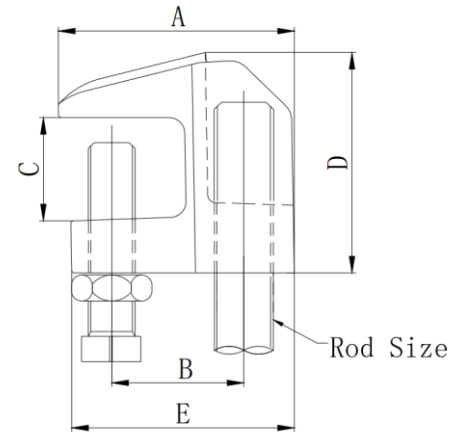




# Universal Beam Clamp (Standard Throat)

## FEATURES

- **Size Range:** 3/8" through 5/8"
- **Material:** Ductile iron
- **Finish:** Plain or Electroplated Galvanized
- **Function:**
  - Structural attachment to top or bottom of metal beams, purlins, channel, or angle iron.
  - 3/8" is reversible design.
  - 1/2" is only for top position(screw on bottom).
- **Standard:** Complies with Federal Specifications A-A-1192A (Type 19)
  - Manufacturers' Standardization Society ANSI/MSS SPSP-58 (Type 19)
  - Which supersedes ANSI/MSS SP-69.
- **Approval:** UL listed 3/8" and 1/2"  
FM approved 3/8" and 1/2"



## SIZE

Material: Ductile Iron

Unit: Inch

FirmFX #	SIZE	A	B	C	D	E	Static load (lbs)	Certification
FX50PI0037	3/8"	1.870"	0.874"	0.750"	1.559"	2.740"	500	UL/FM
FX50EG0037	3/8"	1.870"	0.874"	0.750"	1.559"	2.740"	500	UL/FM
FX50PI0050	1/2"	1.764"	1.000"	0.750"	1.614"	1.685"	950	UL/FM
FX50EG0050	1/2"	1.764"	1.000"	0.750"	1.614"	1.685"	950	UL/FM
FX50PI0062	5/8"	1.875"	1.094"	0.750"	1.811"	1.870"	1000	/
FX50EG0062	5/8"	1.875"	1.094"	0.750"	1.811"	1.870"	1000	/